

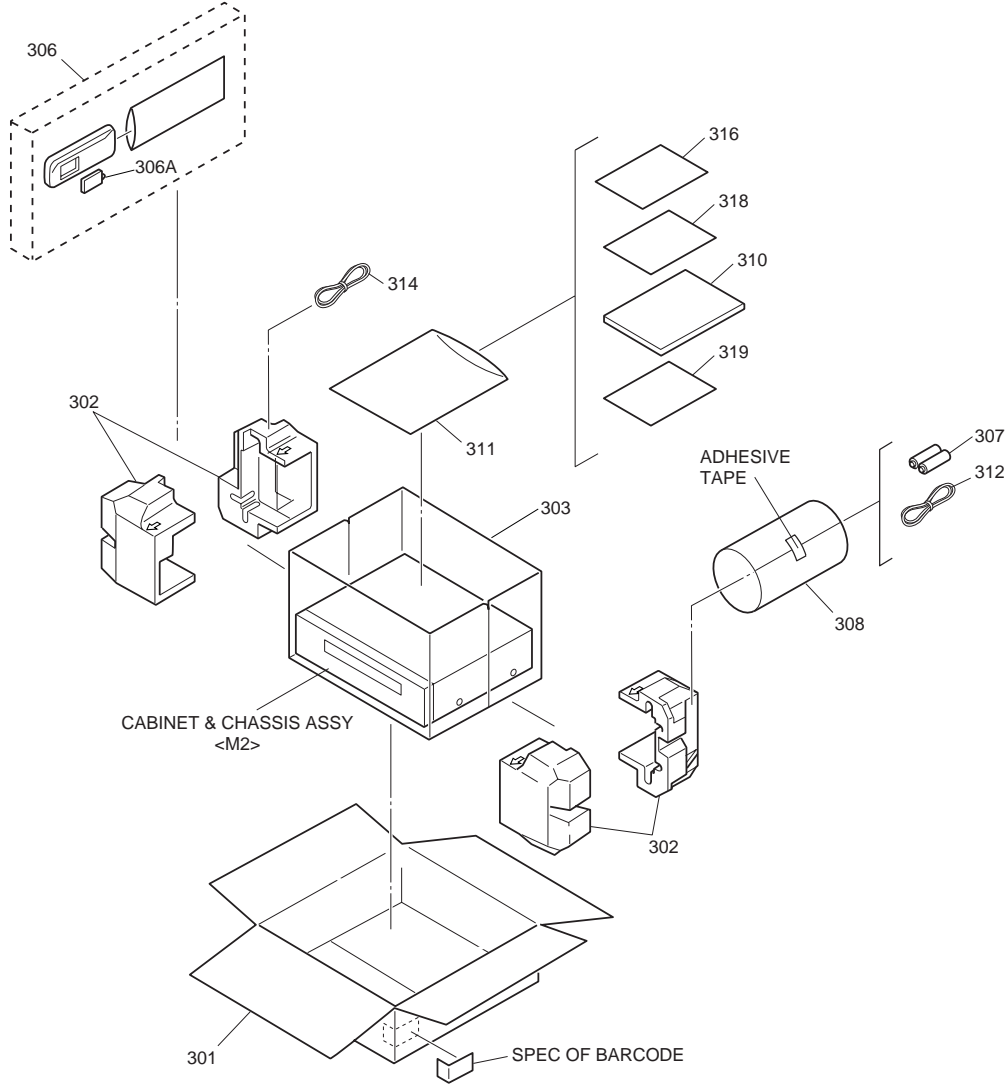
SECTION 5 PARTS LIST

SAFETY PRECAUTION

Parts identified by the Δ symbol are critical for safety. Replace only with specified part numbers.

5.1 PACKING AND ACCESSORY ASSEMBLY <M1>

The instruction manual to be provided with this product will differ according to the destination.



# Δ	REF No.	PART No.	PART NAME, DESCRIPTION

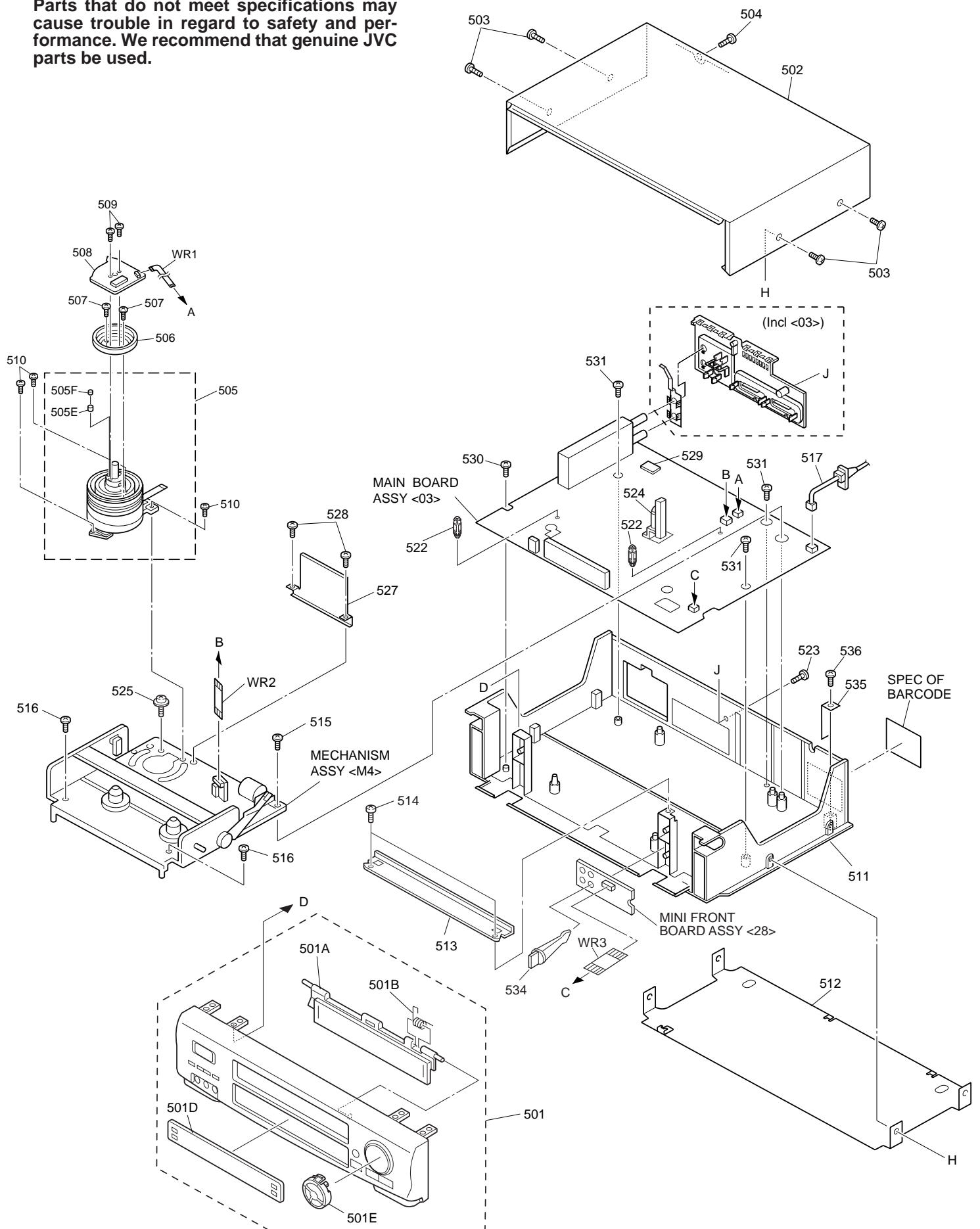
PACKING AND ACCESSORY ASSEMBLY <M1>			
	301	LP30897-001A	PACKING CASE
	302	LP30898-001A	CUSHION ASSY
	303	PQM30021-93	POLY BAG
	306	LP20878-002A	REMOTE CONTROLLER
	306A	LP40610-002A	COVER(BATTERY)
	307	—	BATTERY,X2(“R6”TYPE)
	308	QPC02202230P	POLY BAG
Δ	310	LPT0490-001A	INST.BOOK(FR),J280MS
Δ		LPT0566-001A	INST.BOOK(EN),J280EU
Δ		LPT0566-002A	INST.BOOK(GE),J280EU
Δ		LPT0566-003A	INST.BOOK(FR),J280EU
Δ		LPT0566-004A	INST.BOOK(DU),J280EU
Δ		LPT0566-005A	INST.BOOK(SP),J280EU

# Δ	REF No.	PART No.	PART NAME, DESCRIPTION
Δ		LPT0566-006A	INST.BOOK(IT),J280EU
Δ		LPT0566-007A	INST.BOOK(DA),J280EU
Δ		LPT0566-008A	INST.BOOK(FI),J280EU
Δ		LPT0566-009A	INST.BOOK(SW),J280EU
Δ		LPT0566-010A	INST.BOOK(NO),J280EU
Δ		LPT0566-011A	INST.BOOK(PT),J280EU
Δ		LPT0566-012A	INST.BOOK(GR),J280EU
Δ		LPT0566-013A	INST.BOOK(CZ),J280EU
Δ		LPT0566-014A	INST.BOOK(PO),J280EU
Δ		LPT0566-015A	INST.BOOK(HU),J280EU
Δ		LPT0567-001A	INST.BOOK(EN),J280EK
	311	QPC02503530P	POLY BAG
	312	PEAC0300-02	RF CABLE
	314	QAM0238-003	PERI CABLE,J280MS
	316	BT-54013-2	WARRANTY CARD,J280EU
	318	BT-54008-2	GUARANTY CARD,J280EK/MS
	319	LYT0194-001B	Q.CARD(JUK),J280EK

5.2 FINAL ASSEMBLY <M2>

BEWARE OF BOGUS PARTS










Parts that do not meet specifications may cause trouble in regard to safety and performance. We recommend that genuine JVC parts be used.



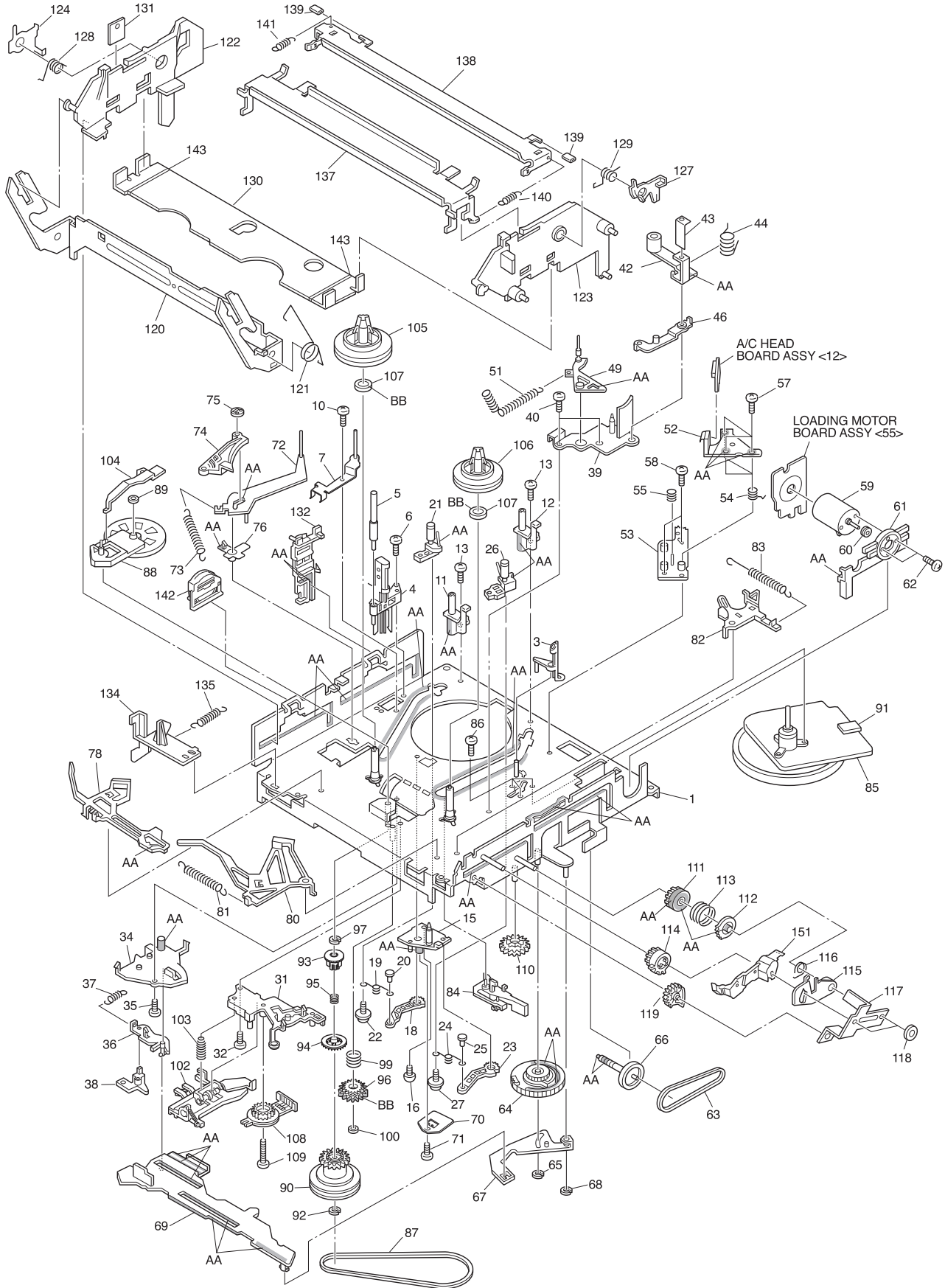
 REF No. PART No. PART NAME, DESCRIPTION

 REF No. PART No. PART NAME, DESCRIPTION

FINAL ASSEMBLY <M2>

	501	LP10293-032B	FRONT PANEL ASSY,J280EU
		LP10293-034B	FRONT PANEL ASSY,J280EK
		LP10293-035B	FRONT PANEL ASSY,J280MS
	501A	LP20868-033A	CASSETTE DOOR
	501B	PQ46448	TORSION SPRING
	501D	LP20869-088B	DISPLAY WINDOW,J280EU
		LP20869-090B	DISPLAY WINDOW,J280EK
		LP20869-091B	DISPLAY WINDOW,J280MS
	501E	LP30649-005A	ORNAMENT
	502	PQ11898-52-23	TOP COVER
	503	QYTDSF3010R	SCREW,X4, TOP COVER(SIDE)
	504	QYTDSF3010M	SCREW, TOP COVER(REAR)
	505	LP20981-004A	DRUM SUB ASSY,J280EK
		LP20981-005A	DRUM SUB ASSY,J280EU/MS
	505E	LP40323-001A	CONTACT
	505F	LP30004-014A	COMPRESSION SPRING
	506	PDZ0179-1-4	ROTOR ASSY
	507	QYSPSP3006Z	SCREW,X2
	508	QAR0169-002	STATOR ASSY
	509	QYSPSPH2606Z	SCREW,X2
	510	QYTDST2610Z	SCREW,X3,DRUM
	511	LP21026-001B	BOTTOM CHASSIS
	512	PQ11899-3-7	BOTTOM COVER
	513	LP30312-001B	BRACKET(CHASSIS)
	514	QYTDSF3010Z	SCREW,X2,BRACKET(CHASSIS)
	515	QYTDSF4012Z	SCREW,MECHA
	516	QYTDSF3010Z	SCREW,X2,MECHA
	517	QMP4A10-170	POWER CORD,J280EU/MS
		QMP51K0-170-K	POWER CORD,J280EK
	522	LP40226-001A	PC SUPPORT,X2
	523	QYTDSF3010M	SCREW,TERMINAL BOARD
	524	LP40253-001B	STOPPER,MECHA
	525	PQ40413	SPECIAL SCREW,MECHA
	527	LP30356-002C	DRUM SHIELD
	528	QYTDST2606Z	SCREW,X2,DRUM SHIELD
	529	LP30002-042A	SPACER
	530	QYTDSF3010Z	SCREW,MAIN
	531	DPSF3010Z	SCREW,X3,MAIN
	534	LP40628-001B	PC SUPPORT,MINI FRONT
	535	LP40854-001A	BRACKET
	536	QYTDSF3010Z	SCREW,BRACKET
	WR1	QUQ212-0518CG	FFC WIRE,DRUM
	WR2	WJT0005-001A	E-CARD WIRE,A/C HEAD
	WR3	QUQ112-0914CG	FFC WIRE,MINI FRONT

5.3 MECHANISM ASSEMBLY <M4>



Classification	Part No.	Symbol in drawing
Grease	KYODO-SH-P	AA
Oil	COSMO-HV56	BB

NOTE:The section marked in **AA** and **BB** indicate lubrication and greasing areas.

#	REF No.	PART No.	PART NAME, DESCRIPTION	#	REF No.	PART No.	PART NAME, DESCRIPTION

MECHANISM ASSEMBLY <M4>							
1		LP20821-006A	MAIN DECK ASSY	75		PQ46302-1-3	ADJUST PIN
3		LP30492-002B	GUIDE POLE GUARD	76		LP30232-002A	TENSION ARM BEARING
4		NAH0001-001	FULL ERASE HEAD	78		LP40532-008B	MAIN BRAKE ASSY (SUPPLY)
5		LP40098-001B	GUIDE POLE(SUPPLY)	80		LP40111-011A	MAIN BRAKE ASSY (TAKE UP)
6		QYTDST2608Z	SCREW,FE HEAD	81		LP30003-026A	TENSION SPRING
7		LP40637-002A	TENSION STUD BASE ASSY	82		LP40112-001F	SUB BRAKE ASSY(TAKE UP)
10		QYTDST2606Z	SCREW	83		LP40357-002A	TENSION SPRING
11		LP30409-002C	UV CATCHER 2	84		LP40461-001A	CAPSTAN BRAKE ASSY
12		LP30409-002C	UV CATCHER 2	85		QAR0087-005	CAPSTAN MOTOR
13		QYTPST2606Z	SCREW,X2	86		QYTDSEF2606M	SCREW,X3
15		LP30223-003C	LOADING ARM GEAR SHAFT	87		LP30005-007A	BELT,CAPSTAN MOTOR
16		QYTDST2606Z	SCREW	88		LP40114-012A	IDLER ARM ASSY
18		LP30224-001B	LOADING ARM GEAR(SUPPLY)	89		LP40599-001A	WASHER
19		LP40099-001A	TORSION ARM	90		LP40593-001A	CLUTCH UNIT 3
20		LP40100-001A	PIN	91		LP30002-097A	SPACER,CAPSTAN MOTOR
21		LP40101-006A	POLE BASE ASSY(SUPPLY)	92		PQM30017-47	SLIT WASHER
22		QYSPSTG2606Z	SCREW	93		LP30696-002A	CLUTCH GEAR 4
23		LP40103-002B	LOADING ARM GEAR(TAKE UP)	94		LP30697-003A	COUPLING GEAR
24		LP40099-001A	TORSION ARM	95		LP40554-002A	COMPRESSION SPRING
25		LP40100-001A	PIN	96		LP40442-001A	DIRECT GEAR
26		LP40104-006A	POLE BASE ASSY(TAKE UP)	97		LP30017-019A	SPACER
27		QYSPSTG2606Z	SCREW	99		LP40483-002A	COMPRESSION SPRING
31		LP20233-004B	ROTARY ENCODER GUIDE	100		LP30016-001A	SLIT WASHER
32		QYTPST2606Z	SCREW	102		LP40484-001J	CHANGE LEVER ASSY
34		LP30226-004E	CONTROL PLATE GUIDE	103		LP40512-002B	COMPRESSION SPRING
35		QYTPST2605Z	SCREW	104		LP30236-002C	IDLER LEVER
36		LP30249-003B	TAKE UP LEVER	105		LP20237-001B	REEL DISK (SUPPLY)
37		LP30003-006A	TENSION SPRING	106		LP20238-001B	REEL DISK (TAKE UP)
38		LP40119-002A	TAKE UP HEAD	107		LP30017-015A	SPACER,X2
39		LP20234-004B	LID GUIDE	108		QSW0554-003	ROTARY ENCODER
40		QYTDST2606Z	SCREW,X2	109		QYTPST2620Z	SCREW
42		LP40105-003A	PINCH ROLLER ARM ASSY	110		LP30237-002B	CASSETTE GEAR
43		LP40753-001A	PINCH ROLLER SHEET3	111		LP30239-002G	LIMIT GEAR(1)
44		LP40148-002A	TORSION SPRING	112		LP30240-002G	LIMIT GEAR(2)
46		LP40149-001C	PRESS LEVER ASSY	113		LP40136-001E	TORSION SPRING
49		LP40106-007A	GUIDE ARM ASSY	114		LP30242-002A	RELAY GEAR
51		LP40134-002A	TENSION SPRING	115		LP30339-002E	OPENER GUIDE
52		QAH0058-001	AC HEAD	116		LP40545-001A	TORSION SPRING
53		LP30228-001A	HEAD BASE	117		LP40214-001B	C.H.BRACKET
54		LP30004-013A	COMPRESSION SPRING,X3	118		PQM30017-47	SLIT WASHER,X2
55		LP40236-001A	COMPRESSION SPRING	119		LP30243-001D	DRIVE GEAR
57		LP40213-002B	SPECIAL SCREW,X3	120		LP20240-001G	DRIVE ARM
58		QYTDST2608Z	SCREW,X2	121		LP40137-001A	TORSION SPRING
59		QAR0023-001	LOADING MOTOR	122		LP10081-002L	SIDE HOLDER(L)
60		PQ43546-1-2	MOTOR PULLEY	123		LP10082-002M	SIDE HOLDER(R)
61		LP30230-001B	MOTOR GUIDE	124		LP30255-006A	LOCK LEVER(L)
62		QYTPSP3003Z	SCREW,X2	127		LP30256-001H	LOCK LEVER(R)
63		LP30005-003A	BELT,LOADING MOTOR	128		LP40168-003A	TORSION SPRING(L)
64		LP20791-002D	CONTROL CAM	129		LP40218-001B	TORSION SPRING(R)
65		PQM30017-24	SLIT WASHER	130		LP30257-001G	CASSETTE HOLDER
66		LP40120-001A	WORM GEAR	131		LP40852-001A	EARTH PLATE
67		LP40107-002A	LINK LEVER ASSY	132		LP30244-002G	GUIDE RAIL
68		PQM30017-24	SLIT WASHER	134		LP30245-002F	REC SAFETY LEVER
69		LP10201-003E	CONTROL PLATE	135		LP30003-004A	TENSION SPRING
70		LP40379-001B	CONTROL BRACKET(1)	137		LP20578-001C	TOP GUIDE
71		QYTDSEF2608M	SCREW	138		LP30500-001C	HOLD PLATE
72		LP40108-002A	TENSION ARM ASSY	139		LP40450-003A	PAD,X2
73		LP30003-010A	TENSION SPRING	140		LP30003-025B	TENSION SPRING
74		LP40109-003D	TENSION BRAKE ASSY	141		LP30003-024A	TENSION SPRING
				142		LP40481-003A	ROLLER CAM ASSY
				143		LP30019-014A	PAD,X2
				151		LP20324-003B	DOOR OPENER

5.4 ELECTRICAL PARTS LIST

#	REF No.	PART No.	PART NAME, DESCRIPTION

MAIN BOARD ASSEMBLY <03>			
PW1	LPA10131-07B1	MAIN BOARD ASSY,J280EK	
	LPA10131-09C1	MAIN BOARD ASSY,J280EU	
	LPA10131-11B1	MAIN BOARD ASSY,J280MS	
IC1	JCP8021-MVD-2	IC	
IC201	LC74775-9750	IC	
IC301	LA7358	IC,J280MS	
IC3001	HD6432194SXD01F	IC(MCU),J280EK	
	HD6432194SXD03F	IC(MCU),J280MS	
	HD6432194SXD14F	IC(MCU),J280EU	
	or HD64F2194FD01	IC(MCU),J280EK	
	or HD64F2194FD03	IC,J280MS	
	or HD64F2194FD14	IC(MCU),J280EU	
IC3002	IC-PST3427U-X	IC	
IC3003	AT24C16N-10SC-X	IC	
	or BR24C16F	IC	
	or X24C16S	IC	
	or 24LC16B/SN-X	IC	
IC3004	BA6956AN	IC	
IC5301	L5431	IC	
	or MM1431AT	IC	
IC7001	PT6956	IC	
IC7002	GP1U291Q	IR DETECT UNIT	
	or PNA4652M00YC	IR DETECT UNIT	
	or PIC-28143LJ	IR DETECT UNIT	
	or PIC-37143LJ	IR DETECT UNIT	
IC7101	MM1443XJ	IC	
Q21	2SA1576A/QR/-X	TRANSISTOR,J280MS	
	or 2PA1576R/R-X	TRANSISTOR,J280MS	
Q23	2SA1576A/QR/-X	TRANSISTOR	
	or 2PA1576R/R-X	TRANSISTOR	
Q34	2SA1576A/QR/-X	TRANSISTOR,J280MS	
	or 2PA1576R/R-X	TRANSISTOR,J280MS	
Q38	2SC4081/QRS/-X	TRANSISTOR	
Q41	UN521E	TRANSISTOR,J280EU/MS	
	or DTC144WU	TRANSISTOR,J280EU/MS	
	or RN1309	TRANSISTOR,J280EU/MS	
Q201	2SC4081/QRS/-X	TRANSISTOR	
	or 2PC4081/R/-X	TRANSISTOR	
Q301	2SA1576A/QR/-X	TRANSISTOR,J280MS	
	or 2PA1576R/R-X	TRANSISTOR,J280MS	
Q302	DTA144WU	TRANSISTOR,J280MS	
	or PDTA144WU	TRANSISTOR,J280MS	
	or RN2309	TRANSISTOR,J280MS	
	or UN511E	TRANSISTOR,J280MS	
Q2001	2SC4081/QRS/-X	TRANSISTOR	
	or 2SD1819A/QRS/-X	TRANSISTOR	
	or 2PC4081/R/-X	TRANSISTOR	
Q2002	2SC4081/QRS/-X	TRANSISTOR	
	or 2PC4081/R/-X	TRANSISTOR	
	or 2SD1819A/QRS/-X	TRANSISTOR	
Q2003	DTA144WU	TRANSISTOR	
	or RN2309	TRANSISTOR	
	or UN511E	TRANSISTOR	
	or PDTA144WU	TRANSISTOR	
Q2006	2SC4081/QRS/-X	TRANSISTOR	
	or 2SD1819A/QRS/-X	TRANSISTOR	
	or 2PC4081/R/-X	TRANSISTOR	

#	REF No.	PART No.	PART NAME, DESCRIPTION
Q2051	2SC4081/QRS/-X	TRANSISTOR	
	or 2PC4081/R/-X	TRANSISTOR	
	or 2SD1819A/QRS/-X	TRANSISTOR	
Q2052	2SA1576A/QR/-X	TRANSISTOR	
	or 2SB1218A/QR/-X	TRANSISTOR	
	or 2PA1576R/R-X	TRANSISTOR	
Q2053	DTC144WU	TRANSISTOR	
	or PDTC144WU	TRANSISTOR	
	or RN1309	TRANSISTOR	
	or UN521E	TRANSISTOR	
Q2054	2SA1576A/QR/-X	TRANSISTOR	
	or 2PA1576R/R-X	TRANSISTOR	
	or 2SB1218A/QR/-X	TRANSISTOR	
Q2055	DTC144WU	TRANSISTOR	
	or PDTC144WU	TRANSISTOR	
	or RN1309	TRANSISTOR	
	or UN521E	TRANSISTOR	
Q3001	2SD1819A/QRS/-X	TRANSISTOR	
	or 2PC4081/R/-X	TRANSISTOR	
	or 2SC4081/QRS/-X	TRANSISTOR	
Q3003	PTZ-NV16	PHOTO TRANSISTOR	
	or PTZ-NV16A	PHOTO TRANSISTOR	
Q3004	2SD1819A/QRS/-X	TRANSISTOR	
	or 2PC4081/R/-X	TRANSISTOR	
	or 2SC4081/QRS/-X	TRANSISTOR	
Q3005	2SD1819A/QRS/-X	TRANSISTOR	
	or 2SC4081/QRS/-X	TRANSISTOR	
	or 2PC4081/R/-X	TRANSISTOR	
Q3007	UN521E	TRANSISTOR	
	or RN1309	TRANSISTOR	
	or DTC144WU	TRANSISTOR	
	or PDTC144WU	TRANSISTOR	
Q4001	UN5211	TRANSISTOR	
	or DTC114EU	TRANSISTOR	
	or PDTC114EU	TRANSISTOR	
	or RN1302	TRANSISTOR	
Q5101	2SK2632-CB14	POWER MOS FET	
	or 2SK2129	POWER MOS FET	
	or 2SK2129-LT	POWER MOS FET	
	or 2SK2632	POWER MOS FET	
Q5102	2SD2144S/UV/-T	TRANSISTOR	
Q5302	2SD2375/QP/	TRANSISTOR	
Q5303	2SD1819A/RS/-X	TRANSISTOR	
	or 2PC4081/R/-X	TRANSISTOR	
	or 2SC4081/RS/-X	TRANSISTOR	
Q5304	2SC3616/ML/-T	TRANSISTOR	
Q5305	DTA114EU	TRANSISTOR	
	or PDTA114EU	TRANSISTOR	
	or RN2302	TRANSISTOR	
	or UN5111	TRANSISTOR	
Q5306	DTC114EU	TRANSISTOR	
	or PDTC114EU	TRANSISTOR	
	or RN1302	TRANSISTOR	
	or UN5211	TRANSISTOR	
Q5308	2SA1576A/RS/-X	TRANSISTOR	
Q6030	2SB1218A/RS/-X	TRANSISTOR	
Q6031	DTC114EU	TRANSISTOR	
	or PDTC114EU	TRANSISTOR	
	or UN5211	TRANSISTOR	
	or RN1302	TRANSISTOR	
Q6032	DTC114EU	TRANSISTOR	

#	REF No.	PART No.	PART NAME, DESCRIPTION		#	REF No.	PART No.	PART NAME, DESCRIPTION	
		or PDC114EU	TRANSISTOR				or 10ELS2	FR DIODE	
		or UN5211	TRANSISTOR		D5204	AU01Z	FR DIODE		
		or RN1302	TRANSISTOR			or 10ELS2	FR DIODE		
Q7001		DTA143TU	TRANSISTOR		D5207	AK04	DIODE		
Q7002		DTA143TU	TRANSISTOR			or 11EQS04	SB DIODE		
Q7003		DTA143TU	TRANSISTOR			or 1S4	SB DIODE		
Q7004		DTA143TU	TRANSISTOR		D5210	AU01Z	FR DIODE		
Q7005		DTA143TU	TRANSISTOR			or ERA18-02-T2	FR DIODE		
Q7101		2SB1218A/QRS/-X	TRANSISTOR			or 1SR153-400-T2	FR DIODE		
		or 2SA1576A/QRS/-X	TRANSISTOR			or 10ELS2	FR DIODE		
		or 2PA1576R/-X	TRANSISTOR			or PG104RS	FR DIODE		
Q7102		DTC144WU	TRANSISTOR		D5301	MTZJ15C	ZENER DIODE		
		or PDC144WU	TRANSISTOR,J280MS			or RD15ES/B3/-T2	ZENER DIODE		
		or UN521E	TRANSISTOR,J280MS		D5302	1SS133	DIODE		
		or RN1309	TRANSISTOR,J280MS			or 1SS270A	DIODE		
Q7106		2SA1576A/QRS/-X	TRANSISTOR		D5303	RD5.1JS/B2/-T2	ZENER DIODE		
		or 2PA1576R/-X	TRANSISTOR			or MA4051N/M/-T2	ZENER DIODE		
Q7107		DTA144WU	TRANSISTOR		D5304	1SS133	DIODE		
		or RN2309	TRANSISTOR			or 1SS270A	DIODE		
		or UN511E	TRANSISTOR		D5305	AK04	DIODE		
		or PDA144WU	TRANSISTOR			or 1S4	SB DIODE		
Q7108		DTC144WU	TRANSISTOR			or 11EQS04	SB DIODE		
		or PDC144WU	TRANSISTOR		D5307	QUY160-100Y	IM BUS WIRE		
		or UN521E	TRANSISTOR		D5308	MTZJ11C	ZENER DIODE		
		or RN1309	TRANSISTOR			or RD11ES/B3/-T2	ZENER DIODE		
Q7110		2SC4081/QRS/-X	TRANSISTOR		D5316	QUY160-100Y	IM BUS WIRE		
		or 2PC4081R/-X	TRANSISTOR		D6002	HZ30-2L-T2	ZENER DIODE		
		or 2SD1819A/QRS/-X	TRANSISTOR			or HZ30-2LTD	Z DIODE (M)		
D6		MTZJ5.6C	ZENER DIODE		D7101	1SS133	DIODE		
		or RD5.6ES/B3/-T2	ZENER DIODE		D7102	1SS133	DIODE		
D201		QRE141J-101Y	RESISTOR	100Ω,1/4W	D7103	QUY160-100Y	IM BUS WIRE		
D202		QRE141J-101Y	RESISTOR	100Ω,1/4W	D7105	MTZJ12C	ZENER DIODE		
D203		QRE141J-101Y	RESISTOR	100Ω,1/4W		or RD12ES/B3/-T2	ZENER DIODE		
D3001		LNB2301L01VI	LE DIODE		D7106	MTZJ12C	ZENER DIODE		
D3002		1SS133	DIODE		R1	NRSA02J-682X	MG RESISTOR	6.8kΩ,1/10W	
		or 1SS270A	DIODE		R2	NRSA02J-152X	MG RESISTOR	1.5kΩ,1/10W	
D3003		RD39ES/B3/-T2	ZENER DIODE		R3	NRSA02J-222X	MG RESISTOR,J280MS	2.2kΩ,1/10W	
		or MTZJ39C	ZENER DIODE			NRSA02J-822X	MG RESISTOR,J280EK/EU	8.2kΩ,1/10W	
D3004		11ES2	DIODE		R5	NRSA02J-0R0X	MG RESISTOR	0Ω,1/10W	
		or 1A3G	DIODE		R6	NRSA02J-273X	MG RESISTOR	27kΩ,1/10W	
D3005		11ES2	DIODE		R7	NRSA02J-681X	MG RESISTOR	680Ω,1/10W	
		or 1A3G	DIODE		R8	QRE141J-101Y	RESISTOR	100Ω,1/4W	
D3008		1SS133	DIODE		R9	QRE141J-101Y	RESISTOR	100Ω,1/4W	
D4001		QUY153-050Y	IM BUS WIRE		R12	QRE141J-101Y	RESISTOR	100Ω,1/4W	
D4002		QUY153-050Y	IM BUS WIRE		R37	NRSA02J-0R0X	MG RESISTOR	0Ω,1/10W	
D5001		S1WB/A/60-4102	BRIDGE DIODE		R46	NRSA02J-331X	MG RESISTOR	330Ω,1/10W	
		or S1WB/A/60-X	BRIDGE DIODE		R47	NRSA02J-821X	MG RESISTOR,J280MS	820Ω,1/10W	
		or S1WB(A)60F4072X	BRIDGE DIODE		R48	NRSA02J-102X	MG RESISTOR,J280MS	1kΩ,1/10W	
D5101		AU01	FR DIODE		R50	NRSA02J-102X	MG RESISTOR	1kΩ,1/10W	
		or ERA18-04-T2	FR DIODE		R71	NRSA02J-0R0X	MG RESISTOR	0Ω,1/10W	
		or 10ELS4	FR DIODE		R72	NRSA02J-822X	MG RESISTOR,J280MS	8.2kΩ,1/10W	
		or 1SR153-400-T2	FR DIODE		R73	NRSA02J-122X	MG RESISTOR,J280MS	1.2kΩ,1/10W	
D5102		AU01	FR DIODE		R77	NRSA02J-103X	MG RESISTOR	10kΩ,1/10W	
		or ERA18-04-T2	FR DIODE		R90	NRSA02J-391X	MG RESISTOR	390Ω,1/10W	
		or 1SR153-400-T2	FR DIODE		R92	NRSA02J-152X	MG RESISTOR	1.5kΩ,1/10W	
		or 10ELS4	FR DIODE		R93	NRSA02J-222X	MG RESISTOR	2.2kΩ,1/10W	
D5103		1SS133	DIODE		R104	NRSA02J-682X	MG RESISTOR	6.8kΩ,1/10W	
		or 1SS270A	DIODE		R115	NRSA02J-102X	MG RESISTOR,J280MS	1kΩ,1/10W	
D5105		1SS133	DIODE		R116	NRSA02J-681X	MG RESISTOR,J280MS	680Ω,1/10W	
		or 1SS270A	DIODE		R202	NRSA02J-103X	MG RESISTOR	10kΩ,1/10W	
D5203		AU01Z	FR DIODE		R209	NRSA02J-512X	MG RESISTOR	5.1kΩ,1/10W	

#	REF No.	PART No.	PART NAME, DESCRIPTION	#	REF No.	PART No.	PART NAME, DESCRIPTION
R210		NRSA02J-182X	MG RESISTOR 1.8kΩ,1/10W	R3035		NRSA02J-0R0X	MG RESISTOR 0Ω,1/10W
R211		NRSA02J-562X	MG RESISTOR 5.6kΩ,1/10W	R3036		NRSA02J-0R0X	MG RESISTOR 0Ω,1/10W
R213		NRSA02J-0R0X	MG RESISTOR 0Ω,1/10W	R3037		NRSA02J-0R0X	MG RESISTOR 0Ω,1/10W
R216		NRSA02J-103X	MG RESISTOR 10kΩ,1/10W	R3038		NRSA02J-0R0X	MG RESISTOR 0Ω,1/10W
R224		NRSA02J-681X	MG RESISTOR 680Ω,1/10W	R3039		QRE141J-102Y	RESISTOR 1kΩ,1/4W
R225		QUY160-100Y	IM BUS WIRE	R3041		NRSA02J-472X	MG RESISTOR 4.7kΩ,1/10W
R301		NRSA02J-273X	MG RESISTOR,J280MS 27kΩ,1/10W	R3042		QRE141J-102Y	RESISTOR 1kΩ,1/4W
R302		NRSA02J-124X	MG RESISTOR,J280MS 120kΩ,1/10W	R3047		NRSA02J-0R0X	MG RESISTOR 0Ω,1/10W
R303		NRSA02J-273X	MG RESISTOR,J280MS 27kΩ,1/10W	R3048		NRSA02J-0R0X	MG RESISTOR 0Ω,1/10W
R304		NRSA02J-682X	MG RESISTOR,J280MS 6.8kΩ,1/10W	R3049		NRSA02J-101X	MG RESISTOR 100Ω,1/10W
R305		NRSA02J-473X	MG RESISTOR,J280MS 47kΩ,1/10W	R3050		NRSA02J-101X	MG RESISTOR 100Ω,1/10W
R306		NRSA02J-273X	MG RESISTOR,J280MS 27kΩ,1/10W	R3052		NRSA02J-471X	MG RESISTOR 470Ω,1/10W
R307		QRE141J-222Y	RESISTOR,J280MS 2.2kΩ,1/4W	R3053		NRSA02J-471X	MG RESISTOR 470Ω,1/10W
R308		NRSA02J-222X	MG RESISTOR,J280MS 2.2kΩ,1/10W	R3054		NRSA02J-0R0X	MG RESISTOR 0Ω,1/10W
R309		NRSA02J-821X	MG RESISTOR,J280MS 820Ω,1/10W	R3055		NRSA02J-102X	MG RESISTOR 1kΩ,1/10W
R310		NRSA02J-223X	MG RESISTOR,J280MS 22kΩ,1/10W	R3058		NRSA02J-102X	MG RESISTOR 1kΩ,1/10W
R311		NRSA02J-392X	MG RESISTOR,J280MS 3.9kΩ,1/10W	R3059		NRSA02J-102X	MG RESISTOR 1kΩ,1/10W
R312		NRSA02J-272X	MG RESISTOR,J280MS 2.7kΩ,1/10W	R3060		NRSA02J-102X	MG RESISTOR 1kΩ,1/10W
R313		NRSA02J-223X	MG RESISTOR,J280MS 22kΩ,1/10W	R3061		NRSA02J-102X	MG RESISTOR 1kΩ,1/10W
R314		NRVA02D-243X	CMF RESISTOR,J280MS 24kΩ,1/10W	R3062		NRSA02J-103X	MG RESISTOR 10kΩ,1/10W
R315		NRSA02J-564X	MG RESISTOR,J280MS 560kΩ,1/10W	R3066		NRSA02J-102X	MG RESISTOR 1kΩ,1/10W
R316		NRSA02J-224X	MG RESISTOR,J280MS 220kΩ,1/10W	R3069		NRSA02J-101X	MG RESISTOR 100Ω,1/10W
R329		NRSA02J-0R0X	MG RESISTOR,J280MS 0Ω,1/10W	R3071		NRSA02J-103X	MG RESISTOR 10kΩ,1/10W
R2001		QRE141J-101Y	RESISTOR,J280EK/EU 100Ω,1/4W	R3072		NRSA02J-102X	MG RESISTOR 1kΩ,1/10W
R2003		NRSA02J-101X	MG RESISTOR 100Ω,1/10W	R3073		NRSA02J-102X	MG RESISTOR 1kΩ,1/10W
R2004		NRSA02J-472X	MG RESISTOR 4.7kΩ,1/10W	R3074		QRE141J-102Y	RESISTOR 1kΩ,1/4W
R2007		NRSA02J-393X	MG RESISTOR 39kΩ,1/10W	R3075		NRSA02J-101X	MG RESISTOR 100Ω,1/10W
R2010		NRSA02J-472X	MG RESISTOR 4.7kΩ,1/10W	R3076		NRSA02J-101X	MG RESISTOR 100Ω,1/10W
R2013		NRSA02J-682X	MG RESISTOR 6.8kΩ,1/10W	R3077		NRSA02J-0R0X	MG RESISTOR 0Ω,1/10W
R2014		NRSA02J-224X	MG RESISTOR 220kΩ,1/10W	R3078		NRSA02J-0R0X	MG RESISTOR 0Ω,1/10W
R2015		NRSA02J-181X	MG RESISTOR 180Ω,1/10W	R3079		NRSA02J-102X	MG RESISTOR,J280MS 1kΩ,1/10W
R2016		NRSA02J-393X	MG RESISTOR 39kΩ,1/10W	R3081		NRSA02J-102X	MG RESISTOR 1kΩ,1/10W
R2017		NRSA02J-183X	MG RESISTOR 18kΩ,1/10W	R3083		NRSA02J-102X	MG RESISTOR,J280MS 1kΩ,1/10W
R2018		NRSA02J-472X	MG RESISTOR 4.7kΩ,1/10W	R3085		NRSA02J-102X	MG RESISTOR 1kΩ,1/10W
R2019		NRSA02J-472X	MG RESISTOR 4.7kΩ,1/10W	R3086		NRSA02J-102X	MG RESISTOR 1kΩ,1/10W
R2022		NRSA02J-562X	MG RESISTOR 5.6kΩ,1/10W	R3088		QUY160-100Y	IM BUS WIRE
R2053		NRSA02J-472X	MG RESISTOR 4.7kΩ,1/10W	R3089		NRSA02J-0R0X	MG RESISTOR 0Ω,1/10W
R2054		NRSA02J-123X	MG RESISTOR 12kΩ,1/10W	R3090		QRE141J-102Y	RESISTOR,J280EK/EU 1kΩ,1/4W
R2055		NRSA02J-3R3X	MG RESISTOR 3.3Ω,1/10W	R3093		QUY160-100Y	IM BUS WIRE
R2056		QRE141J-820Y	RESISTOR 82Ω,1/4W	R3094		NRSA02J-102X	MG RESISTOR,J280MS 1kΩ,1/10W
R2057		NRSA02J-473X	MG RESISTOR 47kΩ,1/10W	R3095		NRSA02J-102X	MG RESISTOR,J280MS 1kΩ,1/10W
R2058		NRSA02J-183X	MG RESISTOR 18kΩ,1/10W	R3104		NRSA02J-0R0X	MG RESISTOR 0Ω,1/10W
R2059		NRSA02J-473X	MG RESISTOR 47kΩ,1/10W	R3105		NRSA02J-0R0X	MG RESISTOR 0Ω,1/10W
R2060		NRSA02J-183X	MG RESISTOR 18kΩ,1/10W	R3201		NRSA02J-103X	MG RESISTOR 10kΩ,1/10W
R3013		NRSA02J-472X	MG RESISTOR 4.7kΩ,1/10W	R3202		NRSA02J-472X	MG RESISTOR 4.7kΩ,1/10W
R3015		NRSA02J-472X	MG RESISTOR 4.7kΩ,1/10W	R3203		NRSA02J-103X	MG RESISTOR 10kΩ,1/10W
R3016		NRSA02J-102X	MG RESISTOR 1kΩ,1/10W	R3204		NRSA02J-222X	MG RESISTOR 2.2kΩ,1/10W
R3018		NRSA02J-102X	MG RESISTOR 1kΩ,1/10W	R3205		QRE141J-181Y	RESISTOR 180Ω,1/4W
R3019		NRSA02J-682X	MG RESISTOR 6.8kΩ,1/10W	R3207		NRSA02J-183X	MG RESISTOR 18kΩ,1/10W
R3020		NRSA02J-472X	MG RESISTOR 4.7kΩ,1/10W	R3208		QRE141J-181Y	RESISTOR 180Ω,1/4W
R3021		NRSA02J-472X	MG RESISTOR 4.7kΩ,1/10W	R3209		QRE141J-273Y	RESISTOR 27kΩ,1/4W
R3022		NRSA02J-472X	MG RESISTOR 4.7kΩ,1/10W	R3210		NRSA02J-181X	MG RESISTOR 180Ω,1/10W
R3026		NRSA02J-0R0X	MG RESISTOR 0Ω,1/10W	R3211		NRSA02J-273X	MG RESISTOR 27kΩ,1/10W
R3027		NRSA02J-0R0X	MG RESISTOR 0Ω,1/10W	R3212		NRSA02J-474X	MG RESISTOR 470kΩ,1/10W
R3028		NRSA02J-0R0X	MG RESISTOR 0Ω,1/10W	R3213		NRSA02J-334X	MG RESISTOR 330kΩ,1/10W
R3029		QRE141J-472Y	RESISTOR 4.7kΩ,1/4W	R3214		NRSA02J-103X	MG RESISTOR 10kΩ,1/10W
R3030		NRSA02J-472X	MG RESISTOR 4.7kΩ,1/10W	R3215		NRSA02J-103X	MG RESISTOR 10kΩ,1/10W
R3031		NRSA02J-472X	MG RESISTOR 4.7kΩ,1/10W	R3216		NRSA02J-103X	MG RESISTOR 10kΩ,1/10W
R3032		NRSA02J-472X	MG RESISTOR 4.7kΩ,1/10W	R3217		NRSA02J-562X	MG RESISTOR 5.6kΩ,1/10W
R3033		NRSA02J-0R0X	MG RESISTOR 0Ω,1/10W	R3218		QRE141J-472Y	RESISTOR 4.7kΩ,1/4W
R3034		QUY160-100Y	IM BUS WIRE	R3219		NRSA02J-472X	MG RESISTOR 4.7kΩ,1/10W

#	REF No.	PART No.	PART NAME, DESCRIPTION	#	REF No.	PART No.	PART NAME, DESCRIPTION	
R3220		NRSA02J-104X	MG RESISTOR	100kΩ,1/10W	R6021	NRSA02J-102X	MG RESISTOR	1kΩ,1/10W
R3222		NRSA02J-103X	MG RESISTOR	10kΩ,1/10W	R6030	NRSA02J-102X	MG RESISTOR	1kΩ,1/10W
R3223		NRSA02J-152X	MG RESISTOR	1.5kΩ,1/10W	R6031	NRSA02J-271X	MG RESISTOR	270Ω,1/10W
R3224		NRSA02J-152X	MG RESISTOR	1.5kΩ,1/10W	R6032	NRSA02J-223X	MG RESISTOR,J280MS	22kΩ,1/10W
R3225		NRSA02J-103X	MG RESISTOR	10kΩ,1/10W		NRSA02J-472X	MG RESISTOR,J280EK/EU	4.7kΩ,1/10W
R3226		NRSA02J-103X	MG RESISTOR	10kΩ,1/10W	R6033	NRSA02J-153X	MG RESISTOR,J280MS	15kΩ,1/10W
R3227		NRSA02J-103X	MG RESISTOR	10kΩ,1/10W		NRSA02J-182X	MG RESISTOR,J280EK/EU	1.8kΩ,1/10W
R3229		NRSA02J-105X	MG RESISTOR	1MΩ,1/10W	R6050	QRE141J-101Y	RESISTOR,J280EK/EU	100Ω,1/4W
R3230		NRSA02J-472X	MG RESISTOR	4.7kΩ,1/10W	R6051	NRSA02J-101X	MG RESISTOR,J280EK/EU	100Ω,1/10W
R3231		NRSA02J-102X	MG RESISTOR	1kΩ,1/10W	R6052	NRSA02J-101X	MG RESISTOR,J280EK/EU	100Ω,1/10W
R3232		NRSA02J-472X	MG RESISTOR	4.7kΩ,1/10W	R7001	NRSA02J-331X	MG RESISTOR	330Ω,1/10W
R3234		QRE141J-103Y	RESISTOR	10kΩ,1/4W	R7015	NRSA02J-0R0X	MG RESISTOR	0Ω,1/10W
R3235		NRSA02J-332X	MG RESISTOR	3.3kΩ,1/10W	R7020	NRSA02J-103X	MG RESISTOR	10kΩ,1/10W
R3236		NRSA02J-332X	MG RESISTOR	3.3kΩ,1/10W	R7021	NRSA02J-122X	MG RESISTOR	1.2kΩ,1/10W
R3240		NRSA02J-105X	MG RESISTOR	1MΩ,1/10W	R7022	NRSA02J-182X	MG RESISTOR	1.8kΩ,1/10W
R4003		NRSA02J-561X	MG RESISTOR	560Ω,1/10W	R7023	NRSA02J-222X	MG RESISTOR	2.2kΩ,1/10W
R4004		NRSA02J-561X	MG RESISTOR	560Ω,1/10W	R7024	NRSA02J-272X	MG RESISTOR	2.7kΩ,1/10W
R4005		NRSA02J-562X	MG RESISTOR	5.6kΩ,1/10W	R7030	NRSA02J-103X	MG RESISTOR	10kΩ,1/10W
R4007		QRE141J-102Y	RESISTOR	1kΩ,1/4W	R7031	NRSA02J-122X	MG RESISTOR	1.2kΩ,1/10W
R4008		NRSA02J-0R0X	MG RESISTOR	0Ω,1/10W	R7032	NRSA02J-182X	MG RESISTOR	1.8kΩ,1/10W
R4009		NRSA02J-102X	MG RESISTOR	1kΩ,1/10W	R7033	NRSA02J-222X	MG RESISTOR	2.2kΩ,1/10W
R4010		NRSA02J-102X	MG RESISTOR	1kΩ,1/10W	R7034	NRSA02J-0R0X	MG RESISTOR	0Ω,1/10W
R4011		NRSA02J-472X	MG RESISTOR	4.7kΩ,1/10W	R7037	NRSA02J-563X	MG RESISTOR	56kΩ,1/10W
R4012		NRSA02J-222X	MG RESISTOR	2.2kΩ,1/10W	R7101	NRSA63J-473X	MG RESISTOR	47kΩ,1/16W
R4013		NRSA02J-102X	MG RESISTOR	1kΩ,1/10W	R7102	NRSA63J-102X	MG RESISTOR	1kΩ,1/16W
R4014		NRSA02J-0R0X	MG RESISTOR	0Ω,1/10W	R7103	NRSA02J-750X	MG RESISTOR	75Ω,1/10W
R4015		NRSA02J-562X	MG RESISTOR	5.6kΩ,1/10W	R7105	NRSA02J-682X	MG RESISTOR	6.8kΩ,1/10W
R4017		NRSA02J-102X	MG RESISTOR	1kΩ,1/10W	R7106	NRSA02J-682X	MG RESISTOR	6.8kΩ,1/10W
R4018		NRSA02J-102X	MG RESISTOR	1kΩ,1/10W	R7108	QRE141J-750Y	RESISTOR	75Ω,1/4W
R4019		NRSA02J-103X	MG RESISTOR	10kΩ,1/10W	R7111	NRSA02J-101X	MG RESISTOR	100Ω,1/10W
R4020		QRE141J-103Y	RESISTOR	10kΩ,1/4W	R7112	NRSA02J-331X	MG RESISTOR	330Ω,1/10W
R4021		NRSA02J-103X	MG RESISTOR	10kΩ,1/10W	R7113	NRSA02J-750X	MG RESISTOR	75Ω,1/10W
R5101		QRE141J-334Y	RESISTOR	330kΩ,1/4W	R7114	NRSA02J-682X	MG RESISTOR	6.8kΩ,1/10W
R5102		QRE141J-334Y	RESISTOR	330kΩ,1/4W	R7115	NRSA02J-682X	MG RESISTOR	6.8kΩ,1/10W
R5103		QRE141J-683Y	RESISTOR	68kΩ,1/4W	R7117	QRE141J-750Y	RESISTOR	75Ω,1/4W
R5104		QRG02GJ-683	OMF RESISTOR	68kΩ,2W	R7120	NQL402M-4R7X	COIL	4.7μH
R5106		QRT01DJ-R39X	MF RESISTOR	0.39Ω,1W	R7131	NRSA02J-331X	MG RESISTOR	330Ω,1/10W
R5107		QRE121J-331Y	RESISTOR	330Ω,1/2W	R7133	QRE141J-471Y	RESISTOR	470Ω,1/4W
R5108		NRSA02J-152X	MG RESISTOR	1.5kΩ,1/10W	R7134	NRSA02J-471X	MG RESISTOR	470Ω,1/10W
R5109		QRE141J-681Y	RESISTOR	680Ω,1/4W	R7135	NQR0148-002X	FERRITE BEAD	
R5110		NRSA02J-224X	MG RESISTOR	220kΩ,1/10W	R7136	NQR0148-002X	FERRITE BEAD	
R5111		NRSA02J-681X	MG RESISTOR	680Ω,1/10W	R7137	NRSA02J-102X	MG RESISTOR	1kΩ,1/10W
R5112		NRSA02J-221X	MG RESISTOR	220Ω,1/10W	R7140	NRSA02J-101X	MG RESISTOR	100Ω,1/10W
R5301		NRSA02J-472X	MG RESISTOR	4.7kΩ,1/10W	R7144	NRSA02J-681X	MG RESISTOR	680Ω,1/10W
R5302		NRSA02J-102X	MG RESISTOR	1kΩ,1/10W	R7146	NRSA02J-102X	MG RESISTOR	1kΩ,1/10W
R5303		NRSA02J-122X	MG RESISTOR	1.2kΩ,1/10W	R7147	NRSA02J-222X	MG RESISTOR	2.2kΩ,1/10W
R5304		NRSA02J-471X	MG RESISTOR	470Ω,1/10W	R7149	NRSA02J-101X	MG RESISTOR	100Ω,1/10W
R5305		NRSA02J-102X	MG RESISTOR	1kΩ,1/10W	R7150	NRSA02J-101X	MG RESISTOR	100Ω,1/10W
R5306		NRSA02J-471X	MG RESISTOR	470Ω,1/10W	R7163	NRSA02J-750X	MG RESISTOR	75Ω,1/10W
R5308		NRSA02J-471X	MG RESISTOR	470Ω,1/10W	R7205	NRSA02J-223X	MG RESISTOR	22kΩ,1/10W
R5309		NRSA02J-103X	MG RESISTOR	10kΩ,1/10W	B5	NRSA02J-0R0X	MG RESISTOR	0Ω,1/10W
R5310		NRSA02J-471X	MG RESISTOR	470Ω,1/10W	B22	NRSA02J-0R0X	MG RESISTOR,J280MS	0Ω,1/10W
R5311		NRSA02J-473X	MG RESISTOR	47kΩ,1/10W	B24	NRSA02J-0R0X	MG RESISTOR	0Ω,1/10W
R5312		QRE141J-332Y	RESISTOR	3.3kΩ,1/4W	B28	NRSA02J-0R0X	MG RESISTOR	0Ω,1/10W
R5313		NRSA02D-332X	MG RESISTOR	3.3kΩ,1/10W	B35	NRSA02J-0R0X	MG RESISTOR,J280EK/EU	0Ω,1/10W
R5314		NRSA02J-102X	MG RESISTOR	1kΩ,1/10W	B71	NRSA02J-0R0X	MG RESISTOR	0Ω,1/10W
R5316		NRSA02D-123X	MG RESISTOR	12kΩ,1/10W	B204	NRSA02J-0R0X	MG RESISTOR	0Ω,1/10W
R5317		NRSA02J-473X	MG RESISTOR	47kΩ,1/10W	B2001	QUY160-060Y	IM BUS WIRE,J280EK/EU	
R5320		NRSA02J-273X	MG RESISTOR	27kΩ,1/10W	B2051	NRSA02J-0R0X	MG RESISTOR	0Ω,1/10W
R5321		QRE141J-273Y	RESISTOR	27kΩ,1/4W	B3002	QUY153-050Y	IM BUS WIRE	
R6020		NRSA02J-102X	MG RESISTOR	1kΩ,1/10W	B3004	NRSA02J-0R0X	MG RESISTOR,J280EK/EU	0Ω,1/10W

#	△ REF No.	PART No.	PART NAME, DESCRIPTION	#	△ REF No.	PART No.	PART NAME, DESCRIPTION	
B3005		NRSA02J-0R0X	MG RESISTOR, J280EK/EU	0Ω, 1/10W	C204	NDC21HJ-100X	CAPACITOR	10pF, 50V
B5302		QUY153-050Y	IM BUS WIRE		C206	NDC21HJ-330X	CAPACITOR	33pF, 50V
B7002		NRSA02J-0R0X	MG RESISTOR	0Ω, 1/10W	C207	NDC21HJ-330X	CAPACITOR	33pF, 50V
B7005		NRSA02J-0R0X	MG RESISTOR	0Ω, 1/10W	C209	NCB21CK-474X	CAPACITOR	0.47μF, 16V
B7006		NRSA02J-0R0X	MG RESISTOR	0Ω, 1/10W	C212	NCB21EK-104X	CAPACITOR	0.1μF, 25V
B7009		NRSA02J-0R0X	MG RESISTOR	0Ω, 1/10W	C213	QERF1HM-475	E CAPACITOR	4.7μF, 50V
B7106		NRSA02J-0R0X	MG RESISTOR	0Ω, 1/10W	C214	NCB21CK-224X	CAPACITOR	0.22μF, 16V
B7108		NRSA02J-0R0X	MG RESISTOR	0Ω, 1/10W	C215	NCB21CK-224X	CAPACITOR	0.22μF, 16V
B7118		NRSA02J-0R0X	MG RESISTOR	0Ω, 1/10W	C216	QERF1AM-227	E CAPACITOR	220μF, 10V
B7120		NRSA02J-0R0X	MG RESISTOR	0Ω, 1/10W	C217	NDC21HJ-560X	CAPACITOR	56pF, 50V
C1		NCB21EK-104X	CAPACITOR	0.1μF, 25V	C218	NCB21CK-105X	CAPACITOR	1μF, 16V
C2		NCB21EK-104X	CAPACITOR	0.1μF, 25V	C222	QERF1HM-105	E CAPACITOR	1μF, 50V
C5		QEKJ0JM-227	E CAPACITOR	220μF, 6.3V	C226	QERF0JM-107	E CAPACITOR	100μF, 6.3V
C6		NCB21EK-104X	CAPACITOR	0.1μF, 25V	C301	NDC21HJ-151X	CAPACITOR, J280MS	150pF, 50V
C8		NCB21EK-473X	CAPACITOR	0.047μF, 25V	C302	QEKJ1HM-225	E CAPACITOR, J280MS	2.2μF, 50V
C10		NDC21HJ-151X	CAPACITOR	150pF, 50V	C303	NCB21HK-682X	CAPACITOR, J280MS	0.0068μF, 50V
C11		NCB21EK-104X	CAPACITOR	0.1μF, 25V	C304	NCB21HK-682X	CAPACITOR, J280MS	0.0068μF, 50V
C12		NDC21HJ-470X	CAPACITOR, J280EK/EU	47pF, 50V	C305	NCB21HK-103X	CAPACITOR, J280MS	0.01μF, 50V
		NDC21HJ-8R0X	CAPACITOR, J280MS	8pF, 50V	C306	QEKJ0JM-476	E CAPACITOR, J280MS	47μF, 6.3V
C14		NCB21EK-104X	CAPACITOR	0.1μF, 25V	C307	NDC21HJ-151X	CAPACITOR, J280MS	150pF, 50V
C15		NCB21HK-103X	CAPACITOR	0.01μF, 50V	C308	NCB21HK-103X	CAPACITOR, J280MS	0.01μF, 50V
C16		NCB21EK-104X	CAPACITOR	0.1μF, 25V	C309	NCB21EK-104X	CAPACITOR, J280MS	0.1μF, 25V
C17		QEKJ1HM-335	E CAPACITOR	3.3μF, 50V	C310	NCB21HK-103X	CAPACITOR, J280MS	0.01μF, 50V
C19		QEKJ1HM-225	E CAPACITOR	2.2μF, 50V	C311	NCB21HK-103X	CAPACITOR, J280MS	0.01μF, 50V
C20		QEQF1HM-105	NP E CAPACITOR	1μF, 50V	C312	NCB21HK-102X	CAPACITOR, J280MS	0.001μF, 50V
C21		NCB21EK-104X	CAPACITOR	0.1μF, 25V	C313	QERF1HM-474	E CAPACITOR, J280MS	0.47μF, 50V
C22		QEKJ0JM-476	E CAPACITOR	47μF, 6.3V	C314	NCB21HK-471X	CAPACITOR, J280MS	470pF, 50V
C23		NCB21EK-104X	CAPACITOR	0.1μF, 25V	C315	QERF1CM-106	E CAPACITOR, J280MS	10μF, 16V
C24		NCB21EK-104X	CAPACITOR	0.1μF, 25V	C316	NCB21HK-103X	CAPACITOR, J280MS	0.01μF, 50V
C25		NDC21HJ-6R0X	CAPACITOR	6pF, 50V	C317	NCB21HK-681X	CAPACITOR, J280MS	680pF, 50V
C27		NCB21EK-223X	CAPACITOR	0.022μF, 25V	C318	NCB21EK-223X	CAPACITOR, J280MS	0.022μF, 25V
C28		QEKJ1HM-335	E CAPACITOR	3.3μF, 50V	C319	NCB21CK-105X	CAPACITOR, J280MS	1μF, 16V
C29		NCB21EK-333X	CAPACITOR	0.033μF, 25V	C320	NCB21HK-103X	CAPACITOR, J280MS	0.01μF, 50V
C30		QEKJ1HM-474	E CAPACITOR	0.47μF, 50V	C321	NDC21HG-301X	CAPACITOR, J280MS	300pF, 50V
C31		QEKJ0JM-476	E CAPACITOR	47μF, 6.3V	C322	NCB21CK-474X	CAPACITOR, J280MS	0.47μF, 16V
C32		NCB21EK-104X	CAPACITOR	0.1μF, 25V	C2001	QEKJ1HM-475	E CAPACITOR	4.7μF, 50V
C33		QEKJ1HM-225	E CAPACITOR	2.2μF, 50V	C2002	QEKJ1HM-105	E CAPACITOR	1μF, 50V
C34		NCB21CK-224X	CAPACITOR	0.22μF, 16V	C2003	QEKJ0JM-476	E CAPACITOR	47μF, 6.3V
C35		NCB21HK-103X	CAPACITOR	0.01μF, 50V	C2005	QEKJ1HM-475	E CAPACITOR	4.7μF, 50V
C36		QERF1EM-475	E CAPACITOR	4.7μF, 25V	C2006	NCB21HK-123X	CAPACITOR	0.012μF, 50V
C37		QEKJ1HM-105	E CAPACITOR	1μF, 50V	C2007	QEKJ1CM-226	E CAPACITOR	22μF, 16V
C38		QEKJ0JM-476	E CAPACITOR	47μF, 6.3V	C2008	QEKJ1HM-475	E CAPACITOR	4.7μF, 50V
C39		NCB21EK-104X	CAPACITOR	0.1μF, 25V	C2009	NCB21HK-102X	CAPACITOR	0.001μF, 50V
C40		QEKJ1EM-106	E CAPACITOR	10μF, 25V	C2010	NCB21HK-152X	CAPACITOR, J280EK	0.0015μF, 50V
C53		NRSA02J-0R0X	MG RESISTOR	0Ω, 1/10W	C2011	QEKJ1HM-475	E CAPACITOR	4.7μF, 50V
C61		NCB21HK-103X	CAPACITOR, J280MS	0.01μF, 50V	C2012	QEK1HM-475	E CAPACITOR	4.7μF, 50V
C62		NCB21EK-104X	CAPACITOR	0.1μF, 25V	C2016	NDC21HJ-330X	CAPACITOR	33pF, 50V
C64		NDC21HJ-220X	CAPACITOR	22pF, 50V	C2051	NCB21HK-331X	CAPACITOR	330pF, 50V
C65		QEKJ1HM-105	E CAPACITOR	1μF, 50V	C2052	QFLC1HJ-823Z	F CAPACITOR	0.082μF, 50V
C79		NDC21HJ-390X	CAPACITOR, J280MS	39pF, 50V	C2053	NCB21HK-472X	CAPACITOR	0.0047μF, 50V
C81		NCB21HK-103X	CAPACITOR, J280EK/EU	0.01μF, 50V	C2054	NCB21EK-223X	CAPACITOR	0.022μF, 25V
		NCB21HK-332X	CAPACITOR, J280MS	0.0033μF, 50V	C2055	QEKJ1EM-106	E CAPACITOR	10μF, 25V
C92		NDC21HJ-330X	CAPACITOR	33pF, 50V	C3001	NCF21EZ-104X	CAPACITOR	0.1μF, 25V
C94		NCB21HK-103X	CAPACITOR, J280MS	0.01μF, 50V	C3002	NCB21HK-103X	CAPACITOR	0.01μF, 50V
		NRSA02J-0R0X	MG RESISTOR, J280EK/EU	0Ω, 1/10W	C3003	QEKJ1HM-106	E CAPACITOR	10μF, 50V
C95		NCB21HK-103X	CAPACITOR, J280MS	0.01μF, 50V	C3004	NCB21EK-473X	CAPACITOR	0.047μF, 25V
C106		NCB21HK-821X	CAPACITOR	820pF, 50V	C3011	QETL0JM-338	E CAPACITOR	3300μF, 6.3V
C108		NDC21HJ-680X	CAPACITOR	68pF, 50V	C3012	QEKJ0JM-476	E CAPACITOR	47μF, 6.3V
C109		NCB21CK-224X	CAPACITOR	0.22μF, 16V	C3014	QERF0JM-476	E CAPACITOR	47μF, 6.3V
C110		NDC21HJ-820X	CAPACITOR	82pF, 50V	C3016	NCB21EK-473X	CAPACITOR	0.047μF, 25V
C114		NDC21HJ-181X	CAPACITOR, J280EU/MS	180pF, 50V	C3022	NCB21EK-473X	CAPACITOR	0.047μF, 25V

#	△	REF No.	PART No.	PART NAME, DESCRIPTION	#	△	REF No.	PART No.	PART NAME, DESCRIPTION	
		C3024	NDC21HJ-120X	CAPACITOR,J280EK/MS			C7011	QEKJ0JM-227	E CAPACITOR	220μF,6.3V
			NDC21HJ-220X	CAPACITOR,J280EU			C7012	NCB21HK-103X	CAPACITOR	0.01μF,50V
		C3025	QAT3725-300Z	TRIM CAPACITOR,J280EU			C7101	NCB21HK-681X	CAPACITOR	680pF,50V
		C3026	NCB21HK-103X	CAPACITOR			C7102	NCB21HK-681X	CAPACITOR	680pF,50V
		C3027	QEKJ1CM-106	E CAPACITOR			C7103	NCB21HK-102X	CAPACITOR	0.001μF,50V
		C3030	QEKJ0JM-476	E CAPACITOR			C7109	NCB21HK-681X	CAPACITOR	680pF,50V
		C3031	NCB21EK-473X	CAPACITOR			C7117	QUY153-050Y	IM BUS WIRE	
		C3032	NCB21EK-473X	CAPACITOR			C7128	QEKJ1CM-107	E CAPACITOR	100μF,16V
		C3033	NCB21EK-473X	CAPACITOR			C7129	NCB31CK-104X	CAPACITOR	0.1μF,16V
		C3036	NDC21HJ-180X	CAPACITOR			C7131	QUY153-050Y	IM BUS WIRE	
		C3037	NDC21HJ-120X	CAPACITOR			C7132	QETN1CM-107	E CAPACITOR	100μF,16V
		C3040	NCB21EK-473X	CAPACITOR			C7133	NCB21HK-103X	CAPACITOR	0.01μF,50V
		C3041	NDC21HJ-100X	CAPACITOR,J280EK/MS			C7134	NCB31CK-473X	CAPACITOR	0.047μF,16V
		C3045	NDC21HJ-101X	CAPACITOR			C7135	NCB31CK-473X	CAPACITOR	0.047μF,16V
		C3050	NCF21EZ-104X	CAPACITOR			C7136	NCB31CK-473X	CAPACITOR	0.047μF,16V
		C3051	NCB21EK-104X	CAPACITOR			C7138	QEKJ1EM-106	E CAPACITOR	10μF,25V
		C3101	QER61CM-106	E CAPACITOR			C7139	QEKJ1CM-476	E CAPACITOR	47μF,16V
		C3201	NCB21HK-331X	CAPACITOR			C7140	QEKJ1EM-106	E CAPACITOR	10μF,25V
		C4002	QDYB1CM-103Y	CAPACITOR			C7141	QEKJ1EM-106	E CAPACITOR	10μF,25V
		C4003	NCB21HK-102X	CAPACITOR			C7149	QEKJ1HM-475	E CAPACITOR	4.7μF,50V
		C4004	QERF1CM-226	E CAPACITOR			C7150	QEKJ1EM-106	E CAPACITOR	10μF,25V
		C4005	NCB21HK-222X	CAPACITOR			C7151	QEKJ1EM-106	E CAPACITOR	10μF,25V
		C4006	QERF0JM-476	E CAPACITOR			C7152	NCB21EK-473X	CAPACITOR	0.047μF,25V
		C4008	QEQF1HM-105	NP E CAPACITOR			C7153	NDC21HJ-330X	CAPACITOR	33pF,50V
		C4009	NCB21HK-563X	CAPACITOR			C7154	QEKJ1EM-106	E CAPACITOR	10μF,25V
		C4010	NCB21EK-223X	CAPACITOR			C7168	NCB21HK-102X	CAPACITOR	0.001μF,50V
		C4011	NCB21EK-104X	CAPACITOR			C7171	NCB21HK-561X	CAPACITOR	560pF,50V
		C4012	QERF1HM-105	E CAPACITOR			C7172	NDC21HJ-101X	CAPACITOR	100pF,50V
		C4013	NCB21HK-563X	CAPACITOR			C7175	NCB21HK-561X	CAPACITOR	560pF,50V
		C4014	NDC21HJ-101X	CAPACITOR			L1	QQL29BJ-100Z	COIL	10μH
		C4015	NCB21HK-102X	CAPACITOR			L2	QQL071J-221Y	COIL,J280MS	220μH
		C4016	NDC21HJ-101X	CAPACITOR				QUY153-050Y	IM BUS WIRE,J280EK/EU	
△		C5001	QFZ9073-683	F CAPACITOR			L3	QQL29BJ-100Z	COIL	10μH
△		C5002	QFZ9051-333	F CAPACITOR			L4	QQL29BJ-100Z	COIL	10μH
△		C5004	QCZ9071-222	CAPACITOR			L5	QQL29BJ-100Z	COIL	10μH
		C5006	QEZ0375-686	E CAPACITOR			L12	QQR0967-001	COIL	12μH
		C5101	QCZ0212-472	CAPACITOR			L13	QQL071J-330Y	COIL	33μH
		C5102	QCZ0302-330Z	CAPACITOR			L14	QQL29BJ-101Z	COIL,J280MS	100μH
		C5104	QEK1HM-105	E CAPACITOR			L22	QQL231J-1R0Y	COIL	1μH
		C5105	QFN31HJ-183	F CAPACITOR			L24	QQL071J-270Y	COIL	27μH
		C5106	QCB1HJ-271	CAPACITOR			L27	QQL071J-330Y	COIL	33μH
		C5107	QFV91HJ-104	F CAPACITOR			L28	QQL071J-680Y	COIL	68μH
		C5202	QEMT1CM-687	E CAPACITOR			L201	QQL29BK-1R0Z	COIL	1μH
		C5203	QEMT1AM-128	E CAPACITOR			L202	QQL071J-330Y	COIL	33μH
		C5204	QETN2AM-475	E CAPACITOR			L203	QQL29BJ-220Z	COIL	22μH
		C5206	QETN1AM-476	E CAPACITOR			L204	QUY153-050Y	IM BUS WIRE	
		C5207	QETN1CM-107	E CAPACITOR			L206	QQL071J-220Y	COIL	22μH
		C5301	QEKJ1CM-107	E CAPACITOR			L207	QUY153-050Y	IM BUS WIRE	
		C5302	QETJ1CM-107	E CAPACITOR			L301	QQL29BJ-100Z	COIL,J280MS	10μH
		C5303	QEKJ1CM-107	E CAPACITOR			L302	QQL29BJ-6R8Z	COIL,J280MS	6.8μH
		C5304	QFLC1HJ-102Z	F CAPACITOR			L303	QQL231J-270Y	COIL,J280MS	27μH
		C5305	QFV91HJ-154	F CAPACITOR			L2001	QUY153-050Y	IM BUS WIRE	
		C6007	QEK0JM-227	E CAPACITOR			L3101	QQL29BJ-100Z	COIL	10μH
		C6012	QEKJ1AM-107	E CAPACITOR			L5201	PELN1184	COIL	33μH
		C6013	NCB21HK-103X	CAPACITOR			L5202	PELN1184	COIL	33μH
		C6023	NRSA02J-0R0X	MG RESISTOR			L6001	QQL29BK-1R0Z	COIL,J280MS	1μH
		C6027	NCB21HK-103X	CAPACITOR				QUY153-050Y	IM BUS WIRE,J280EK/EU	
		C6032	NCB21EK-473X	CAPACITOR,J280EK/EU			L6003	QQL29BJ-470Z	COIL	47μH
		C6037	QEKJ1CM-106	E CAPACITOR			L7101	NRSA02J-0R0X	MG RESISTOR	0Ω,1/10W
		C7001	NCB21HK-103X	CAPACITOR			L7102	NRSA02J-0R0X	MG RESISTOR	0Ω,1/10W
		C7002	QEKJ0JM-476	E CAPACITOR			L7106	QQL231J-1R0Y	COIL	1μH

#	△ REF No.	PART No.	PART NAME, DESCRIPTION	
	L7107	QQL01BJ-100Z	COIL	10μH
	X1	QAX0576-001Z	CRYSTAL RESONATOR	
	X3001	QAX0444-001	CRYSTAL RESONATOR,J280EK/MS	
		QAX0445-001	CRYSTAL RESONATOR,J280EU	
	X3002	QAX0527-001	CRYSTAL RESONATOR	
	S3001	QSW0602-004	PUSH SWITCH,REC SAFETY	
	S7001	QSW0456-002Z	TACT SWITCH,STAND-BY	
	S7002	QSW0456-002Z	TACT SWITCH,TIMER	
	S7004	QSW0456-002Z	TACT SWITCH,CH-	
	S7006	QSW0456-002Z	TACT SWITCH,CH+	
	S7010	QSW0456-002Z	TACT SWITCH,DISPLAY	
	S7011	QSW0456-002Z	TACT SWITCH,REC	
	S7013	QSW0456-002Z	TACT SWITCH,PAUSE	
	S7015	QSW0456-002Z	TACT SWITCH,STOP/EJECT	
	S7016	QSW0456-002Z	TACT SWITCH,SAT.CTL.	
	K2001	NQL103K-R10X	COIL	0.1μH
	K2002	NQL103K-R10X	COIL	0.1μH
	K2003	NQL103K-R10X	COIL	0.1μH
	K2004	NQL103K-R10X	COIL	0.1μH
	K5101	QQR0678-001Z	FERRITE BEAD	
	K5102	QQR0678-001Z	FERRITE BEAD	
	K6080	NRSA02J-102X	MG RESISTOR	1kΩ,1/10W
	K7001	NQR0403-003X	FERRITE BEAD	
	PC3001	GP3S123	IC(PHOTO SENSOR)	
	PC3002	GP3S123	IC(PHOTO SENSOR)	
△	PC5101	PS2561L1-1/L/	IC(PHOTO COUPLER)	
	T2051	PELN0832	OSC TRANSFORMER	
△	T5001	QQS0083-001	SW TRANSFORMER	
	TU6001	QAU0208-001	TUNER,J280EK/EU	
		QAU0210-001	TUNER,J280MS	
	ET1	PQ21623-2-5	EARTH PLATE(RF)	
	DI7001	LTG-Y2K16M-J	LE DIODE	
	HS1	LP40090-001A	HEAT SINK,Q5101	
	SD1	LP21033-001A	SHIELD CASE(PRE)	
	OT1	QYTDST3006Z	SCREW,Q5101	
△	TB1	LP20317-001C	TERMINAL BOARD(PAL)	
	FC5001	QNG0006-001Z	FUSE CLIP,F5001	
	FC5002	QNG0006-001Z	FUSE CLIP,F5001	
	J7101	PEMC1104	RGB21PIN SOCKET,AV1	
	J7102	PEMC1104	RGB21PIN SOCKET,AV2	
△	LF5001	PELN1204-01-01	LINE FILTER	
△	LF5002	QQR0978-001	LINE FILTER	
	WR7101	QRE141J-0R0	RESISTOR	0Ω,1/4W
	CN1	QGF1028C3-04	FPC CONNECTOR,(5-8)U.DRUM	
	CN2001	QGF1207C1-07	FPC CONNECTOR,(1-7)A/C HEAD	
	CN2002	QGB2532J1-02	CONNECTOR,(1-2)FE HEAD	
	CN3001	QGF1207C1-05	FPC CONNECTOR,(1-5)DRUM MDA	
	CN3002	QGB2532J1-02	CONNECTOR,(1-2)LOADING MOTOR	
	CN3003	QGB2015M2-08	CONNECTOR,(1-8)CAPSTAN MOTOR	
	CN3004	QGB2534J2-04	CONNECTOR,(1-4)ROTARY ENCODER	
△	CN5001	QGA7901C3-02	CONNECTOR,(1-2)AC IN	
	CN7001	QGF1207C1-09	FPC CONNECTOR,(1-9)MINI FRONT	
△	CP4001	ICP-N25	CIRCUIT PROTECTOR	
△	CP5302	ICP-N25	CIRCUIT PROTECTOR	
△	F5001	QMF51E2-2R0J1	FUSE	T2.0A,AC250V

#	△ REF No.	PART No.	PART NAME, DESCRIPTION

A/C HEAD BOARD ASSEMBLY <12>

PW1	LP10122-01A1	A/C HEAD BOARD ASSY
CN1	QGF1208F1-07	FPC CONNECTOR

MINI FRONT BOARD ASSEMBLY <28>

PW1	LPA20005-01A	MINI FRONT BOARD ASSY	
R7043	QRE141J-272Y	RESISTOR	2.7kΩ,1/4W
R7044	QRE141J-472Y	RESISTOR	4.7kΩ,1/4W
R7045	QRE141J-682Y	RESISTOR	6.8kΩ,1/4W
S7021	QSW0456-002Z	TACT SWITCH,REW	
S7022	QSW0456-002Z	TACT SWITCH,FF	
S7023	QSW0456-002Z	TACT SWITCH,PLAY	
CN7002	QGF1208C1-09	FPC CONNECTOR,(1-9)MAIN	

LOADING MOTOR BOARD ASSEMBLY <55>

PW2	LP10122-01A2	LOADING MOTOR BOARD ASSY
CN1	QGB2533K1-02	CONNECTOR